

# MF 33EN

## TWO-WAY PASSIVE CEILING SPEAKER

### DESCRIPTION

MF 33EN is a two-way ceiling speaker designed for recess installation into ceilings or panels. It is especially suitable for broadcasting background music into commercial spaces, but also alarm messages thanks to the highly intelligible voice reproduction and the EN 54-24 certification. It features a plastic cabinet with steel magnetic grille and is extremely easy to install. The terminal connection blocks, for input and output flameproof cables, are made of ceramic material. A thermal fuse protects the integrity of the line in case of heat affecting the speaker.



### FEATURES

- 2 x 3" fullrange transducers with 1" dome tweeter
- Power selectable (100 V): 40 W - 20 W - 10 W - 5 W - 2.5 W
- 88 dB sensitivity
- Colour black RAL 9005
- Voice Alarm EN 54-24 Certified
- In/out ceramic terminal block
- Thermal fuse protection
- Plastic body and steel grille

## TECHNICAL SPECIFICATIONS

<b>Acoustical specifications</b>	Frequency Response (-10dB):	80 Hz ÷ 22000 Hz
	Max SPL @ 1m:	104 dB
	Max SPL @ 4m:	92 dB
	Horizontal coverage angle:	100°
	Vertical coverage angle:	160°
	System Sensitivity:	88 dB
	System Sensitivity 1W @ 4m:	76 dB
<b>Power section</b>	Nominal Impedance (ohm):	8 ohm
	Power Handling:	40 W RMS
	Peak Power Handling:	160 W PEAK
	Recommended Amplifier:	80 W
	Protections:	Thermal fuse - PTC
	Crossover Frequencies:	2500
<b>Transducers</b>	Dome Tweeter:	1.0" neo, 1.0" v.c
	Nominal Impedance (ohm):	8 ohm
	Input Power Rating:	15 W AES, 30 W PROGRAM POWER
	Sensitivity:	90 dB, 1W @ 1m
	Woofer:	2 x 3.0", 1.0" v.c
	Nominal Impedance (ohm):	16 ohm
	Input Power Rating:	20 W AES, 40 W PROGRAM POWER
Sensitivity:	85 dB, 1W @ 1m	
<b>Input/Output section</b>	Input connectors:	Ceramic screw terminals
	Output connectors:	Ceramic screw terminals
	Constant Voltage Transformer:	70/100 V
	Power selection 1 (100 V):	40 W - 250 ohm
	Power selection 2 (100 V):	20 W - 500 ohm
	Power selection 3 (100 V):	10 W - 1000 ohm
	Power selection 4 (100 V):	5 W - 2000 ohm
	Power selection 5 (100 V):	2.5 W - 4000 ohm
<b>Standard compliance</b>	EN54-24 certified:	Yes
	CE marking:	Yes
	CPR number:	0068/CPR/057-2019
<b>Physical specifications</b>	Cabinet/Case Material:	ABS
	Hardware:	Ceiling mount brackets
	Grille:	Steel
	Color:	Black - RAL 9005



<b>Size</b>	Height:	516 mm / 20.31 inches
	Width:	94 mm / 3.7 inches
	Depth:	181 mm / 7.13 inches
	Recessed Depth:	178 mm / 7.01 inches
	Weight:	3.4 kg / 7.5 lbs

---

<b>Shipping informations</b>	Package Height:	186 mm / 7.32 inches
	Package Width:	596 mm / 23.46 inches
	Package Depth:	276 mm / 10.87 inches
	Package Weight:	7 kg / 15.43 lbs

## **PART NUMBER**

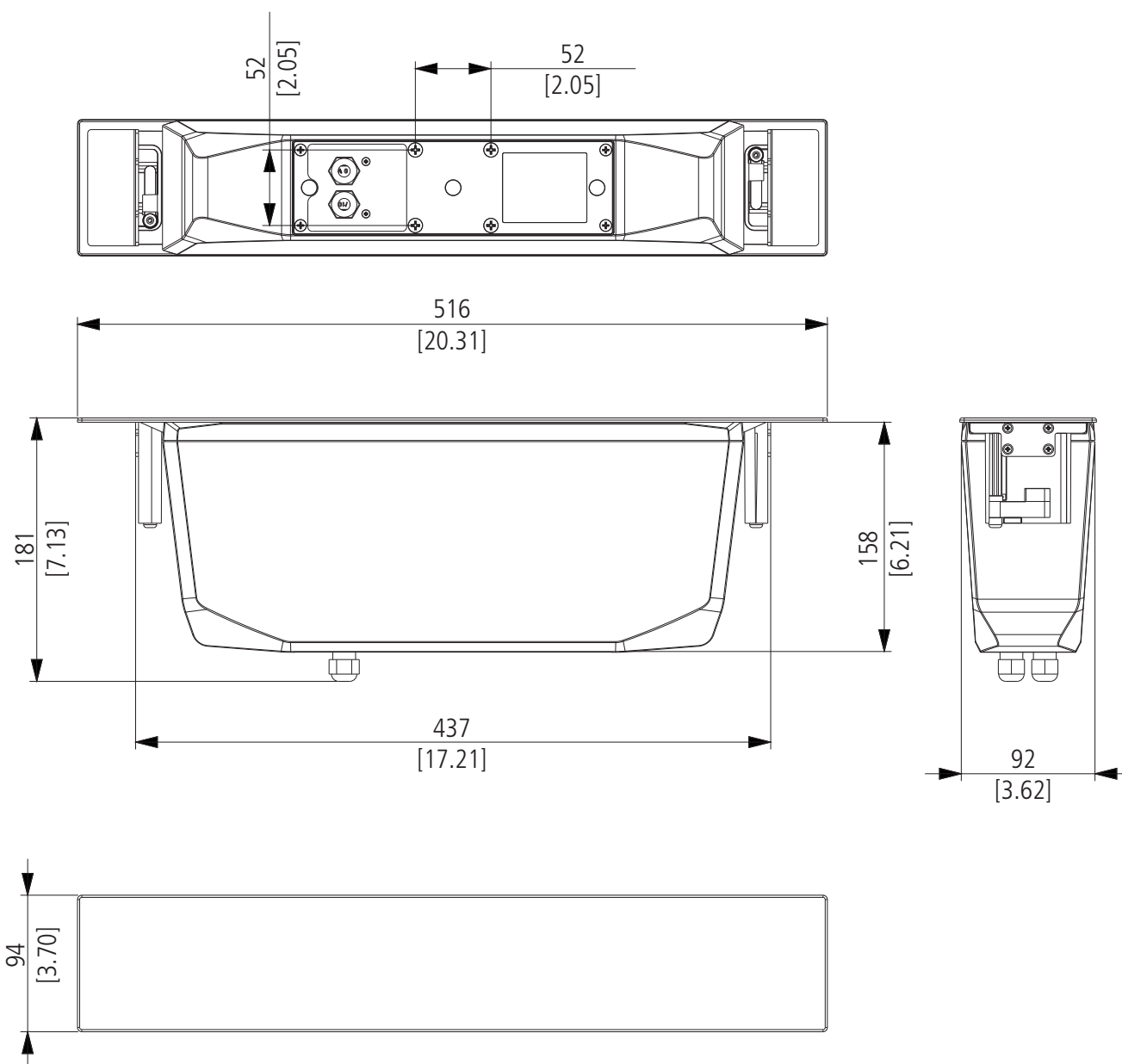
- **13100043**

MF 33EN

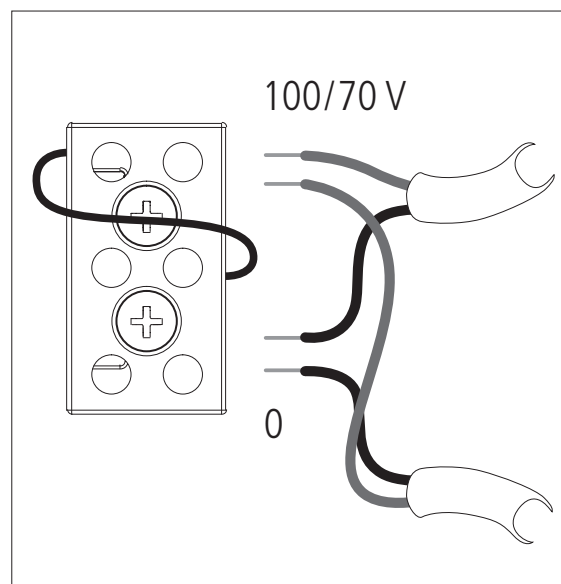
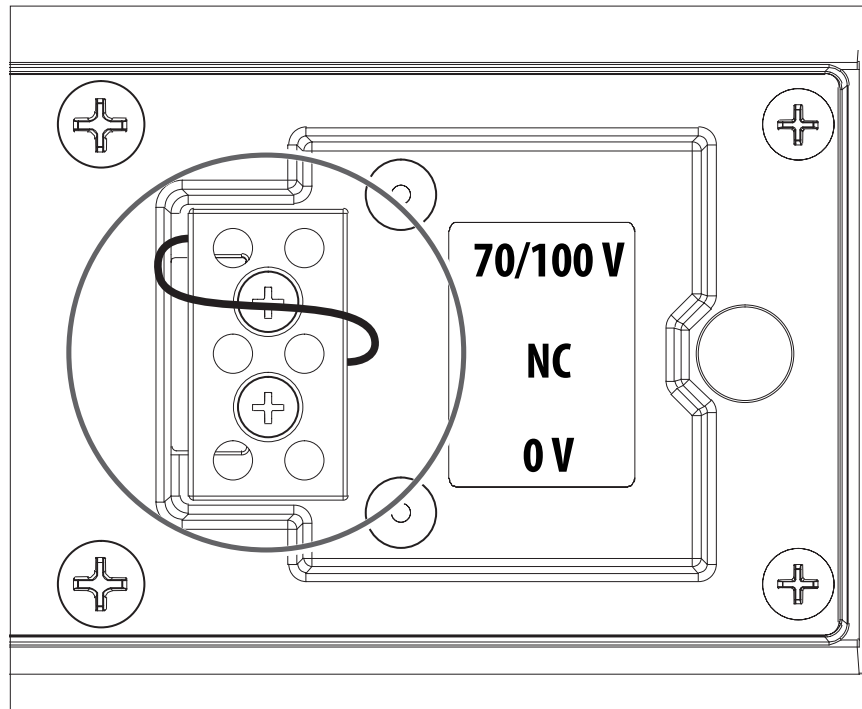
EAN 8024530016463

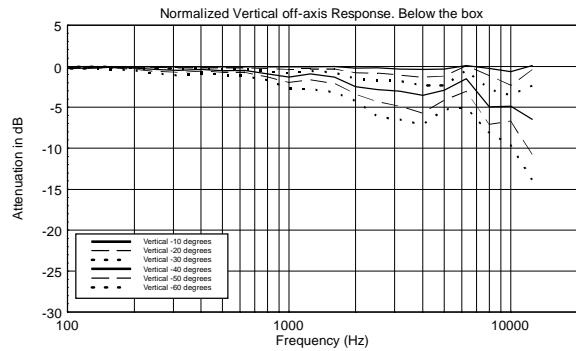
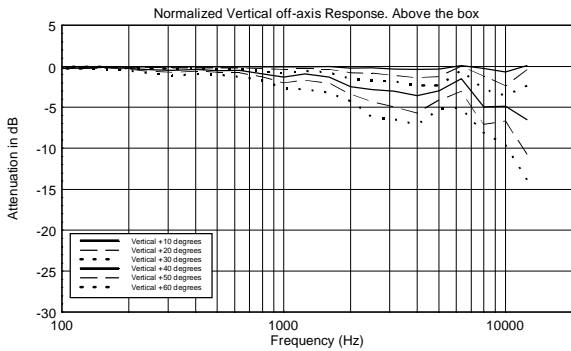
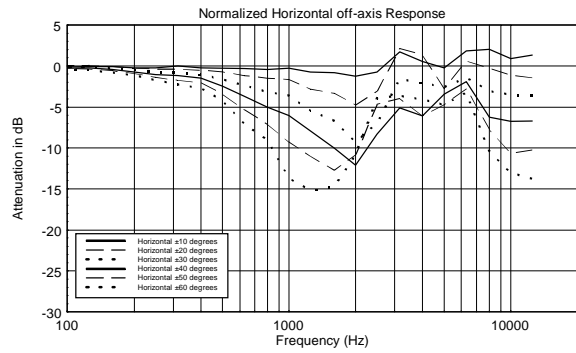
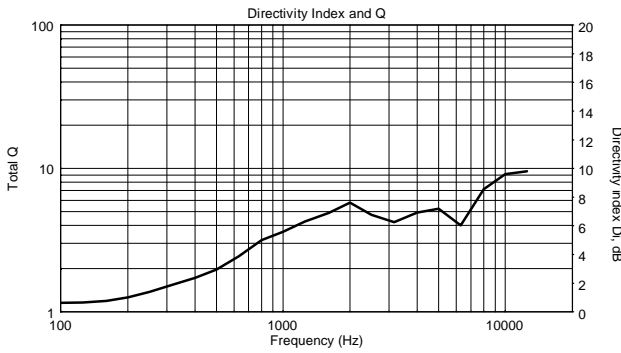
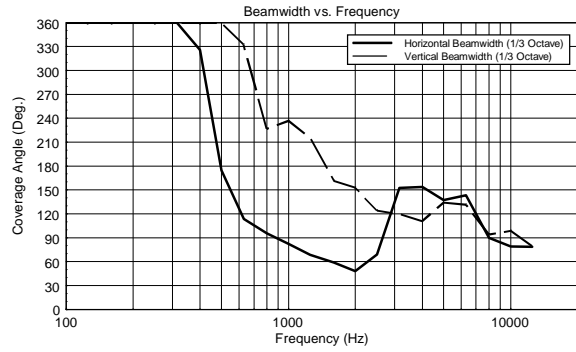
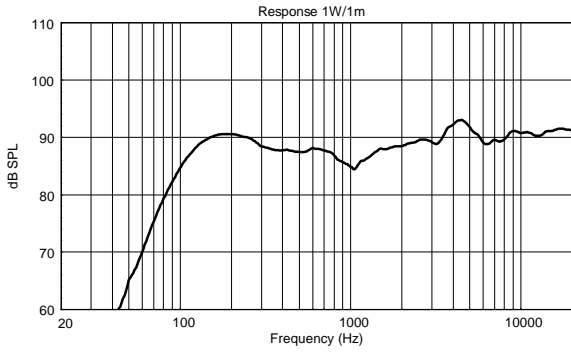
**DRAWINGS**

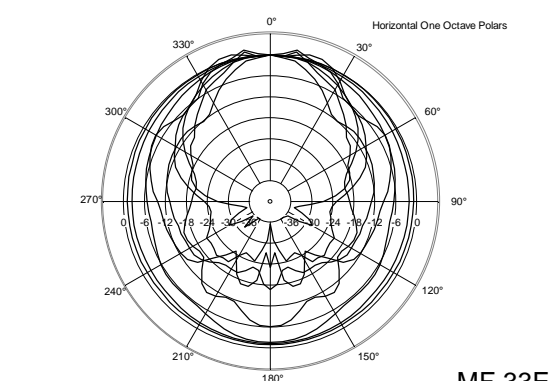
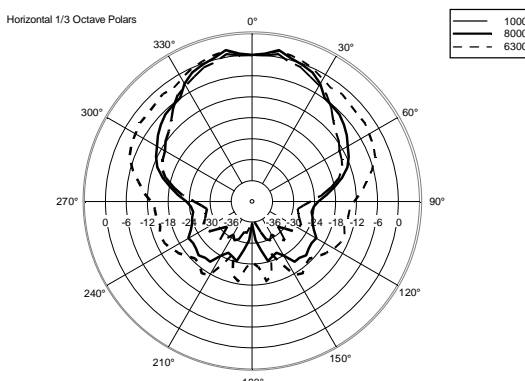
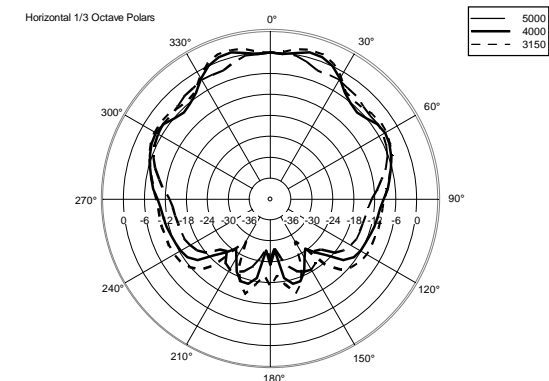
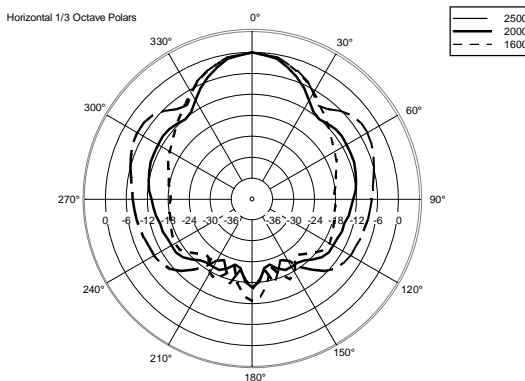
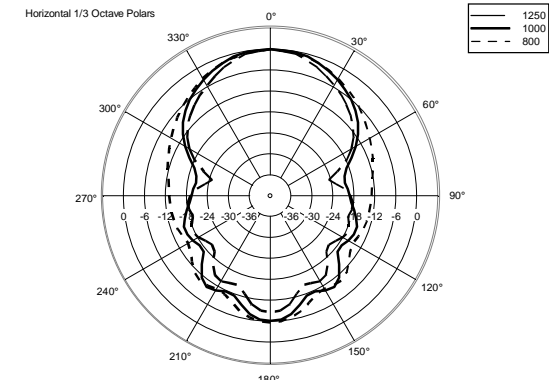
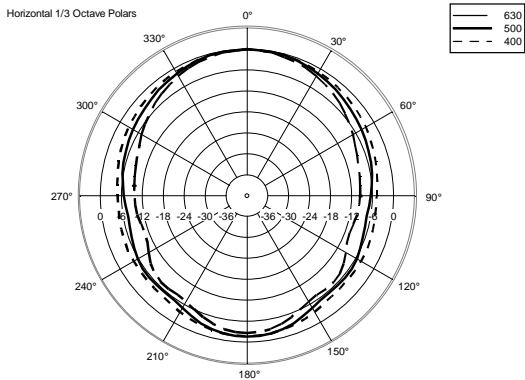
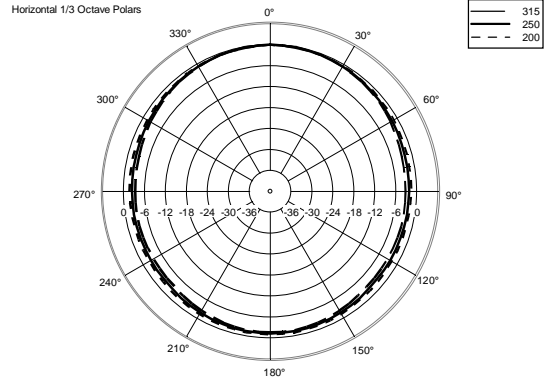
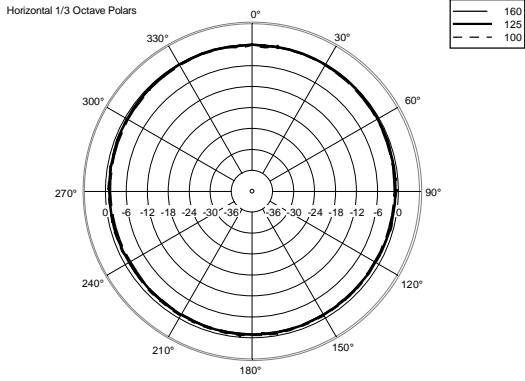
mm  
[inches]

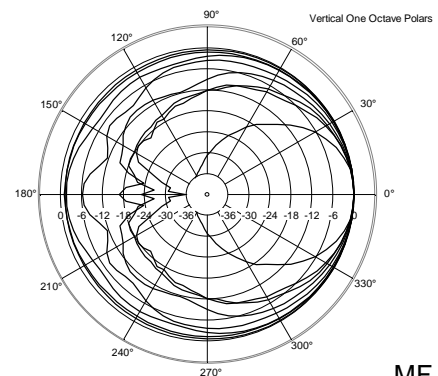
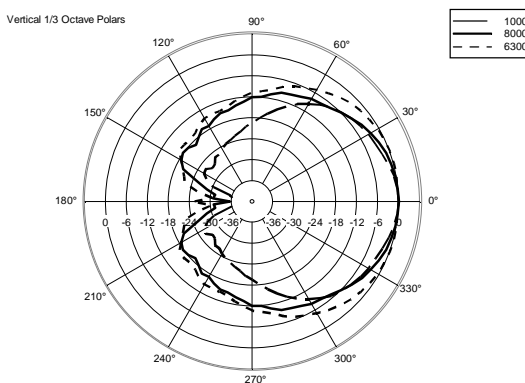
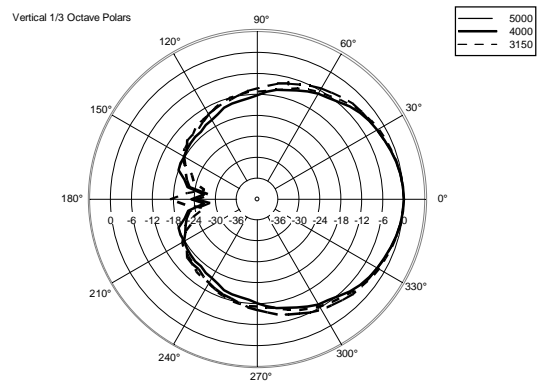
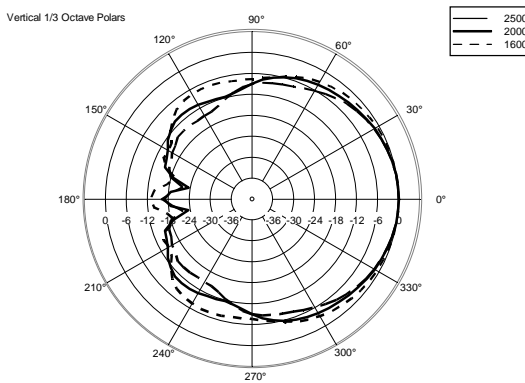
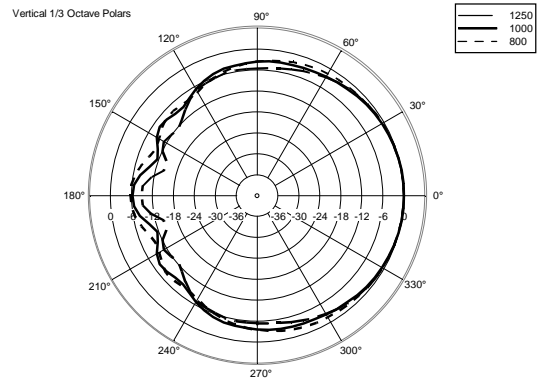
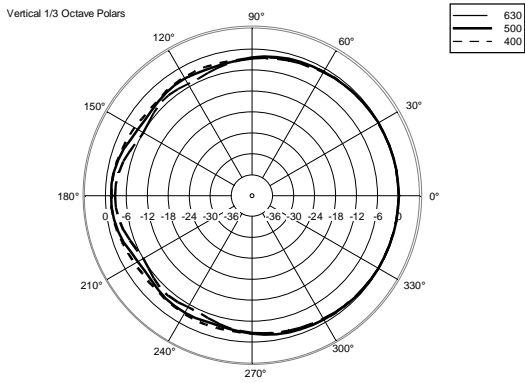
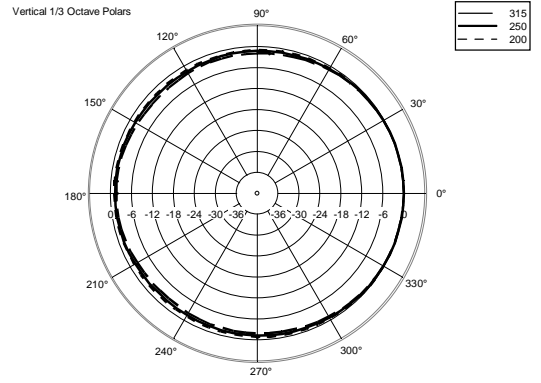
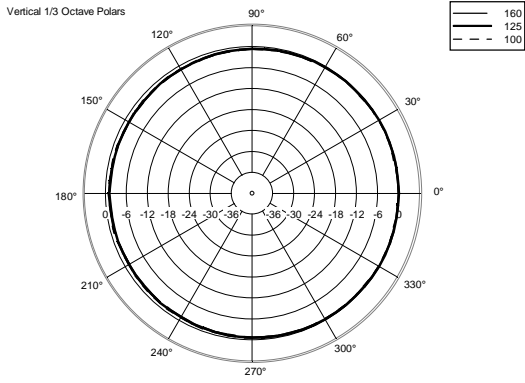


**SCHEMATICS**













## NOTES

NO CAUTION is NECESSARY in case of ALERTED PERSON for AUDIO voltages up to 120V, when warning symbols are present near the connection terminals. In the case of AUDIO voltages up to 71V, it is not even necessary to put warning symbols.  
No need of linking to earth metal parts of speakers equipped with transformers and connected to 70.7 V / 100 V outputs of power amplifiers that do not have any reference to earth (ref. EN 62368-1 item 4.3.2.2 ), unless specific local requirements.

---