

BM 3804

DESK-TOP PAGING MICROPHONE

DESCRIPTION

BM 3804 is a desktop paging microphone exclusively dedicated for the RCF DXT 3000 system. It can be directly connected to the MX 3250 main unit through a fourpair J-type fire-rated cable. Up to four BM 3804 paging microphones (interlocked one another) can be linked (daisy-chained) to the line. The first BM 3804 paging microphone (of the line) is directly powered by the MX 3250 main unit, while the second, the third and the fourth need 24 V DC adapters (500 mA, e.g. RCF AC AD 2405, optional).



FEATURES

- Preamplified cardioid hi-quality microphone, with flexible 45 cm long
- Complete self-diagnostic
- Power supply voltage from the BUS (first microphone only) or from 24V DC local input
- Pre-recorded message activation
- Alert and evacuation indications
- Metal case

TECHNICAL SPECIFICATIONS

Microphone specifications	Type:	Electret
	Directivity:	Cardioid
	Frequency Response (-3dB):	50 Hz ÷ 18 kHz
	Output impedance (ohm):	470.00 ohm
Console specifications	Console Type:	Emergency
	Working with	DXT 3000
	General call:	Yes
	Selective call:	Yes
	Preamplified:	Yes
	LED indicators:	Yes
Power requirement	Operating voltage:	24.00V - Hz
Connections	Connectors:	RJ45
	Cable:	J-Type fire-rated
	Daisy-chain:	Yes
	Max number in daisy-chain:	4
	Interlock:	Yes
Functionalities	Priority:	Yes
	Chime tone generator:	Yes
Accessories	Cable included:	Yes
	Cable length (m):	5
Standard compliance	EN54-16 certified:	Yes
	CE marking:	Yes
	CPR number:	0068-CPR-007/2015
Physical specifications	Cabinet/Case Material:	Metal
Size	Height:	44 mm / 1.73 inches
	Width:	203 mm / 7.99 inches
	Depth:	128 mm / 5.04 inches
	Weight:	1.2 kg / 2.65 lbs
Shipping informations	Package Height:	154 mm / 6.06 inches
	Package Width:	434 mm / 17.09 inches
	Package Depth:	174 mm / 6.85 inches
	Package Weight:	1.12 kg / 2.47 lbs



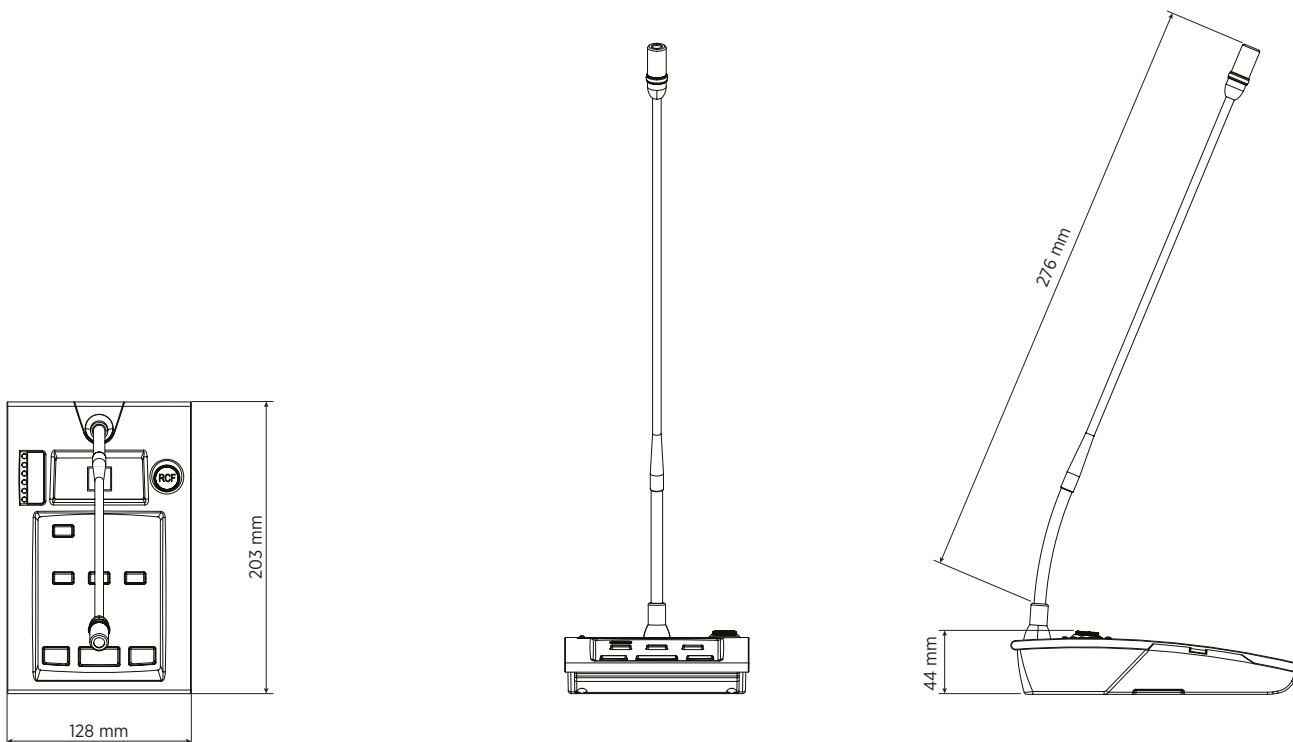
PART NUMBER

- **14380028**

BM 3804

EAN 8024530012137

DRAWINGS



PANELS

Front panel

