



# AREC TP-100 Auto-Tracking System



- Automated tracking and orientating. No interference with any other object.
- The world's first auto tracking mount compatible with diverse types of camera: DSC, camcorders, CCTV and Network Camera.
- Supports dual control modes: Auto & Manual

In order to capture lecturer's best performance, AREC TP-100 Auto-Tracking System can track the specific target precisely with exclusive Wireless Mic Positioner. Compatible with diverse types of camera, AREC TP-100 Mount enables pan/ tilt tracking by auto or manual control.

## Main Features

### Smart Auto-Tracking Technology

Adopting AREC Smart Auto-Tracking Technology, AREC TP-100 Auto-Tracking System makes tracking and orientating automatically and precisely. Designed with exclusive Wireless Mic Positioner accessory, AREC TP-100 allows the camera to follow the lecture's move without any interference from other objects.



### Supports Dual Control Modes: Auto & Manual

To provide convenient user experience, TP-100 supports auto and manual control modes to accomplish tracking recording.

- Auto mode: tracking the target automatically without any assistance
- Manual mode, IP web-based: through web-based interface to control
- Manual mode, RS-485: supports standard Pelco-D/P protocol



### Compatible with diverse types of camera

With standard quick shoe design, AREC TP-100 Auto-Tracking mount is compatible with diverse types of camera, including DSC, camcorders, CCTV and Network Camera.



### User-Defined Tracking Routes and Preset Points for Auto Patrol Function

Supports 3 routes & 15 preset points for auto patrol function, AREC TP-100 provides manual or scheduled patrol function to accomplish monitor the students during an exam.



## Features

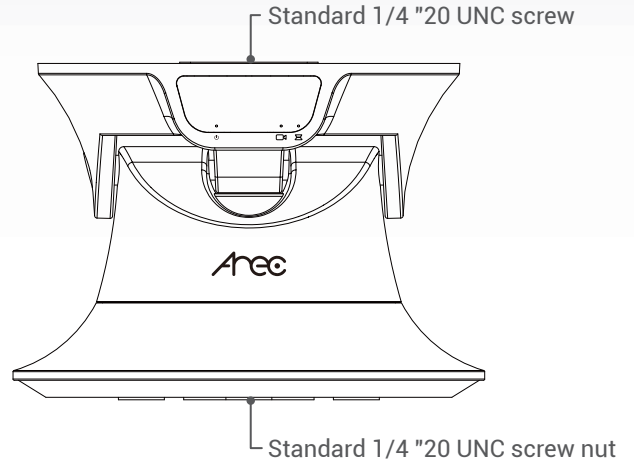
- Diverse control modes provide richly convenience to the users.
- Supports tracking sensitivity & object offset position setting
- Creative design to support standard tripod, wall bracket, and allows installing on the ceiling (Other accessories may be needed).
- Working with AREC KS-700 media station, the positioner can become your wireless microphone to record the presenter's voice.

## Specifications

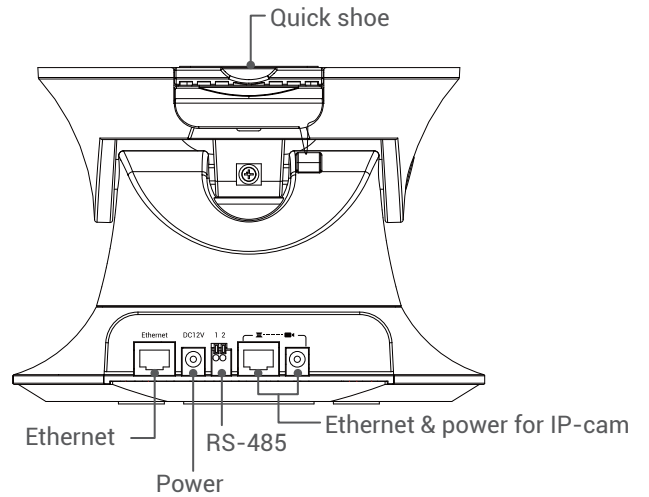
Model name	AREC TP-100 Auto-Tracking System
<b>Camera</b>	
Suggested IP-cam	AREC CI-200 18X Network Camera
Acceptable IP-cam format	H.264, up to 1080p@30fps
Other connector	Standard camera quick shoe- 1/4" 20 UNC
<b>Mount</b>	
Angle adjustment	Continuous 355 degree pan / 60 degree tilt
Tracking distance	2~12m
Manual control	<ul style="list-style-type: none"> <li>■ IP or AREC web-based video switcher</li> <li>■ RS-485 console: Pelco-D/ Pelco-P potocol</li> </ul>
Configuration	<ul style="list-style-type: none"> <li>■ Auto/manual control switch</li> <li>■ tilt tracking switch</li> <li>■ Tracking sensitivity adjustment</li> <li>■ User-defined target offset position</li> <li>■ 3 routes &amp; 15 preset points for auto patrol function</li> <li>■ 1 users access control via account/ password</li> <li>■ User-defined device name and firmware upgrade</li> </ul>
Power supply	<ul style="list-style-type: none"> <li>■ DC12V 1A (mount)</li> <li>■ DC12V 1.5A (mount+ network camera)</li> </ul>
Temperature	0~50°C
Bearing capacity	800g
Interface	<ul style="list-style-type: none"> <li>■ RJ-45 *2: for IP-cam or external IP-based devices</li> <li>■ Power*2: IP-cam and power</li> </ul>
<b>Positioner</b>	
Control buttons	Stop tracking and mute
Mic. distance	12m R
Power supply	AAA battery*2
Power consumption	6 hours (Duracell alkaline battery)

## Product Interface

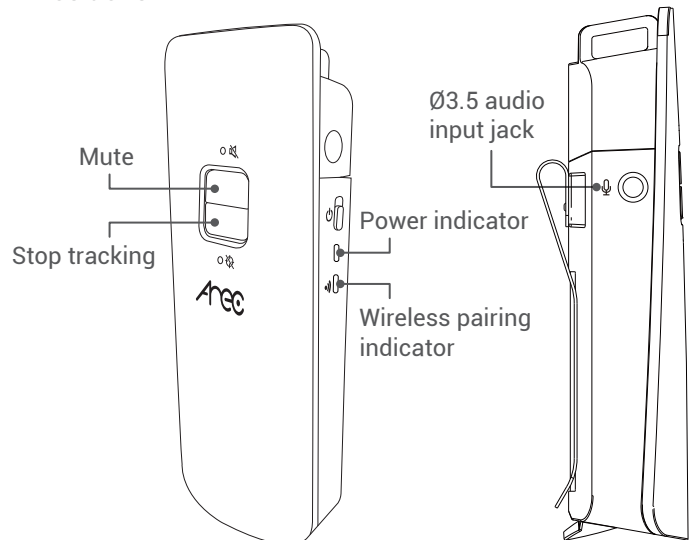
### Front



### Backside



### Positioner



AREC Inc. | [www.arec.com](http://www.arec.com) | [sales@arec.com](mailto:sales@arec.com)

Headquarters: Taipei, Taiwan Address: 3F, No. 367, Sec.2, Wenhua RD., Banqiao Dist., New Taipei City 220, Taiwan (R.O.C) TEL: +886-2-8259-5060  
202A, Block E, Wang Jing Science and Technology Park, Lize Zhongyuan, No. 106, Chao Yang, 100102 Beijing, China

AREC reserves the right to modify product specifications without prior notice.